



1/2.8" HD Cylindric Camera, Day&Night, 1920x1080, 3.6mm, D-WDR, 12VDC, IPP66



MEM-42F0036MPA



The lightning flash with an arrowhead symbol, within an equilateral triangle is intended to alert the user to the presence of uninsulated dangerous voltage within the product's enclosure that may be of sufficient magnitude to constitute a risk of electric shock to persons.



The exclamation point within an equilateral triangle is intended to alert the user to the presence of important operating and maintenance (servicing) instructions in the literature accompanying the appliance.

INFORMATION - This equipment has been tested and found to comply with limits for a Class A digital device, pursuant to part 15 of the FCC Rules & CE Rules. These limits are designed to provide reasonable protection against harmful interference when the equipment is operated in a commercial environment. This equipment generates, uses, and can radiate radio frequency energy and, if not installed and used in accordance with the instruction manual, may cause harmful interference to radio communications. Operation of this equipment in a residential area is likely to cause harmful interference in which case the user will be required to correct the interference at their own expense.

WARNING - Changes or modifications not expressly approved by the manufacturer could void the user's authority to operate the equipment.

CAUTION : To prevent electric shock and risk of fire hazards:

*** Do NOT use power sources other than those specified.

This installation should be made by a qualified service person and should conform to all local codes.

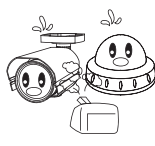
1. Precautions

Do not install the camera in extreme temperature conditions.



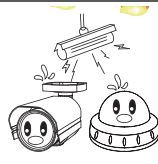
Only use the camera under conditions where temperatures are between -10°C and +50°C. Be especially careful to provide ventilation when operating under high temperatures.

Do not install or use the camera in an environment where the humidity is high.



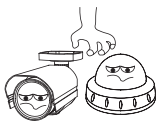
Do not install or use the camera in an environment where the humidity is high.

Do not install the camera under unstable lighting conditions.



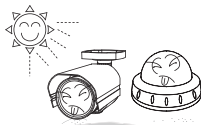
Severe lighting change or flicker can cause the camera to work improperly.

Do not touch the front lens of the camera.



This is one of the most important parts of the camera. Be careful not to leave fingerprints on the lens cover.

Never keep the camera pointed directly at strong light.



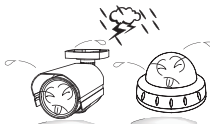
It can cause malfunctions to occur.

Do not drop the camera or subject it to physical shocks.



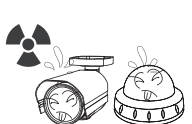
Housing damage can compromise weatherproof ratings.

Do not expose the camera to rain or spill liquids on it.



If it gets wet, wipe dry immediately. Liquids can contain minerals that corrode the electronic components.

Do not expose the camera to radioactivity.



If exposed to radioactivity the CCD will fail.

NOTE

* If the camera is exposed to spotlight or object reflecting strong light, smear or blooming may occur.

* please check that the power satisfies the normal specification before connecting the camera.

2. Safety Instructions

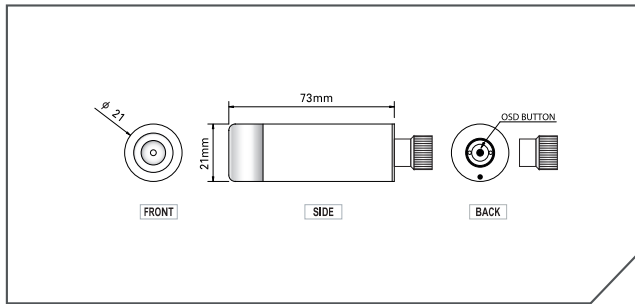
Precautions for use

- This camera should be installed by qualified personnel only
- There are no user serviceable parts inside
- Do not disassemble this camera other than to make initial adjustments
- Use a UL approved regulated 24 volt AC or 12 volt DC power supply
- Use appropriate low voltage power cable to prevent fire or electrical shock
- Please insure that your installation area can support the weight of the camera

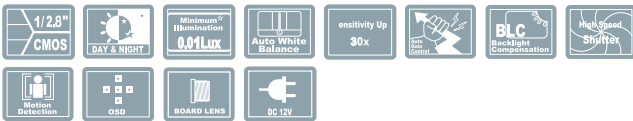
Please handle this camera carefully

- Do not use a strong or abrasive detergent when cleaning the camera
- Do not expose the camera to direct sun
- Do not install camera in places where humidity is high
- Do not install near cooling or heating device
- Do not expose camera to rain or moisture

3. Dimension



4. Key Features

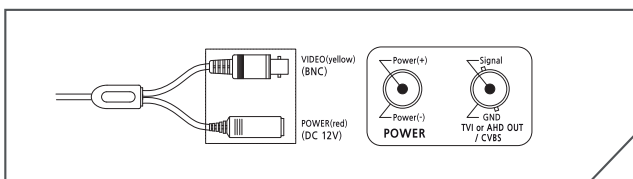


- 1/2.8" SONY 2Mega Exmor CMOS Sensor
- Privacy Masking (8 Zones)
- No Noise, Ghosting Effect with DNR
- Highest Resolution: Vivid Sharp Picture in completely darkness
- UTC Built-in
- Power DC 12V

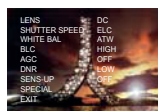
5. Specifications

MODEL	MEM-42F0036MPA
Sensor type	1/2.8" SONY 2Mega Exmor CMOS Sensor
Resolution	1920x1080(1080p@30f / 1080p@25f)
Scanning system	Progressive Scan
Min. illumination	0.01 Lux @ F1.2 , (Sens-UP X30)
Video Output	1.0Vp-p Composite, 75 Ohms(TVI, AHD OFF) 1.0Vp-p TVI(Transport Video Interface) 75 Ohms(AHD,CVBS OFF) 1.0Vp-p AHD(Analog High Definition) 75 Ohms(TVI,CVBS OFF)
S/N Ratio	More than 50dB
AGC	0 ~ 15 Level Adjustable
Shutter Speed	AUTO / FLK / 1/30(1/25)Sec ~ 1/50000Sec, x2, x4, x6, x8, x10, x15, x20, x25, x30
Brightness	0 ~ 100 Level Adjustable
Sens-UP	OFF/AUTO (x2 ~ x30)
Backlight Compensation(BLC)	OFF / Low / Middle / High
HSBLC	1 ~ 100 Level Adjustable
D-WDR(ACE/ATR-EX)	OFF/ON/AUTO
Motion Detection	OFF/ON (4 Zone)
Alarm Output	O(OPTION)
Privacy Masking	OFF/ON (8 Zone)
Communication	UTC
Day & Night	Auto(AGC)/Day/Night/Ext
Smart-IR(IR OPTIMIZER)	0~15 Level Adjustable
White Balance	ATW(1,800K ~ 10,500K) / AWC>Set / Manual /AWB
Digital Noise Reduction	2D, 3DNR
Mirror	H-Rev / V-Rev / ROTATE
Freeze	OFF/ON
Sharpness	0~10 Level Adjustable
DEFOG	OFF/AUTO
GAMMA Correction	USER/0.45 ~ 1.0
Lens Shading(LSC)	OFF/ON
Camera Title(Camera ID)	OFF/ON
Language	ENG/ARB/HEB/TUR/NED/POR/RUS/POL/SPA /ITA/FRA/GER/KOR/CHN1/CHA2/JPN
Defect(White pix mask)	Live DPC / Static DPC (White : 2048, Black : 128)
Poewr Source	DC 12V
Poewr Consumption	150mA
Storage Temperature	-20°C ~ +60°C(Humidity : 20%RH ~ 95%RH)
Operating Temperature	-10°C ~ +50°C(Humidity : 20%RH ~ 80%RH)
Dimension	21mm(W) * 21mm(H) * 73mm(D)
Weight	60g

6. Cable Connection

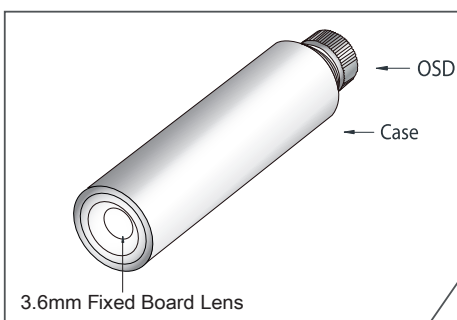


OSD Control Board



OSD

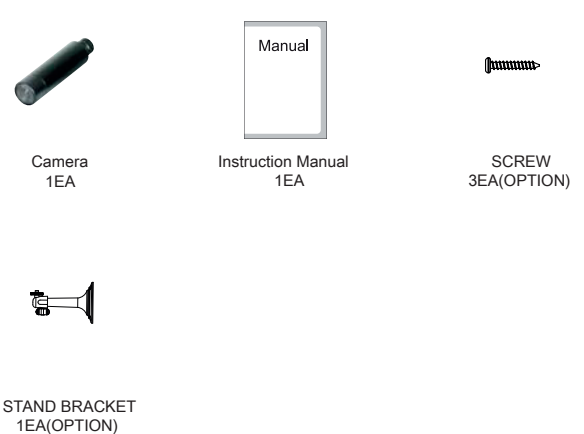
7. Camera Connection



Mode Select:

- 1) AHD Mode: Push OSD stick to the LEFT (←) and hold it for 5 seconds.
- 2) TVI Mode: Push OSD stick UP (↑) and hold it for 5 seconds.
- 3) CVBS Mode: Push OSD stick to the RIGHT (→) and hold it for 5 seconds.

8. Package



eneo® is a registered trademark of Videor E. Hartig GmbH
Exclusive distribution through specialised trade channels only.

Videor E. Hartig GmbH
Carl-Zeiss-Straße 8 · 63322 Rödermark/Germany
Tel. +49 (0) 6074 / 888-0 · Fax +49 (0)6074 / 888-100
www.videor.com
www.eneo-security.com

Technical changes reserved
© Copyright by Videor E. Hartig GmbH
01/2017