



MPD-64A0003P0A

Article number: 218771

1/2,9" HD Dome, Fixed 2560x1440, Day&Night, AF Zoom, WDR, 3,2-9mm, Infrared, Indoor

Mainfeatures

1/2,9" 6,64 Megapixel SONY STARVIS CMOS-Sensor

Optical 3x auto focus zoom, 3,2~9mm

Multisignal: HD-TVI, AHD selectable, Composite SUB

DOL-WDR by triple scan images at 30/25fps &

Point of Interest & Smart Motion Zoom

Scratch resistant hard coated bubble

Resolution max. 2560x1440@25/30fps

Separate outputs for digital and multi-signal

Digital signal: EX-SDI, HD-SDI selectable

ROI (Region of Interest) WDR mode

Wedge adapter included (10° inclination)

Easy installation, 3-Axis gimbal

Specifications

Camera:

Sensor size	1/2.9"
Resolution pixels	2560x1440, 1920x1080, 1280x720
Imager	CMOS, Sony STARVIS, Sensor IMX326
System	True Day&Night
Sensitivity	0,1 Lux, at F1.6, 40IRE
Low speed shutter	yes, 2x ~ 32x
Manual electronic shutter (MES)	1/25 ~ 1/30.000sec
Automatic electronic shutter (ESC)	1/25 ~ 1/30.000sec.
Wide Dynamic Range (WDR)	DOL-WDR 120dB, D-WDR, WDR 113dB, Real Time WDR 25/30fps
Flickerless function	yes

MPD-64A0003P0A

Continued Specifications

Backlight compensation	BLC, HLC
Day/Night switching	auto, day, night
IR cut filter	switchable
White balance	AUTO, AUTOext, manual, Preset
Signal-to-noise ratio	50dB
Video:	
Video standard	PAL/NTSC
Signal format	HD-TVI @ 4MP, AHD @ 4MP, EX-SDI @ 4MP, HD-SDI (1.485 Gbps)
Frame rate	25/30fps @ 1440p, 25/30fps @ 1080p, 50/60fps @ 720p
Lens:	
Lens type	auto focus zoom
Zoom factor	3x
Focal length	3,2 - 9 mm
Digital zoom	yes
MOD (Minimum object distance)	0,5 m
Aperture range (F)	F1.6
Iris control	DC
Vertical angle of view	42 - 3 °
Horizontal angle of view	78 - 6 °
Features:	
Motion detector	yes
Vertical tilt range	65 °(25 ~ 90°)
OSD function control	OSD camera setup
Menu languages	English, German, Japanese, Chinese, Korean
Privacy zones masking	Areas-ON/OFF switchable
Mirror function	V flip, H-flip, H/V flip
Digital Noise Reduction (DNR)	yes
Interfaces / Inputs / Outputs:	
Video outputs	HD-TVI, AHD, composite (CVBS) SUB, EX-SDI, HD-SDI
External connections	voltage input, 1x SDI Signal (BNC), 1x HD Analog Signal (BNC), connection cable approx.15cm
Alarm inputs	no
Alarm outputs	no
Serial interfaces protocols	Pelco C (UTC / HD-TVI)
General:	
Dimensions (HxWxD)	94x116mm
Illumination	infrared, 2x High Power LEDs 850nm
Illumination range	approx. 30m
Colour (housing)	white
Colour (bubble)	clear
Housing	indoor
Housing material	plastic
Weight	260g
Heater	no

MPD-64A0003P0A

Continued Specifications






Power consumption	7W
Blower	no
Mounting	wall mount, ceiling mount
Supply voltage	12VDC
Temperature range (operation)	-10°C ~ +50°C
Text display	supplied
Vandalism resistant	no
Scope of delivery:	
Parts supplied	manual, Video sub-out cable, bag of screws

Special features

Smart Motion Zoom--Zoom on defined ROI on motion
Hard Coated Bubble (Hardness grade - H) -- Anti Scratch Protection
Pointing Zoom -- enables the flexible zooming at any area
Preset Zoom (4 adjustable positions)

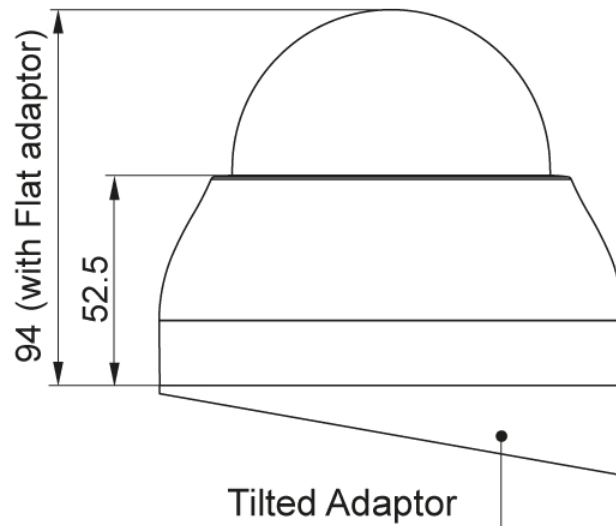
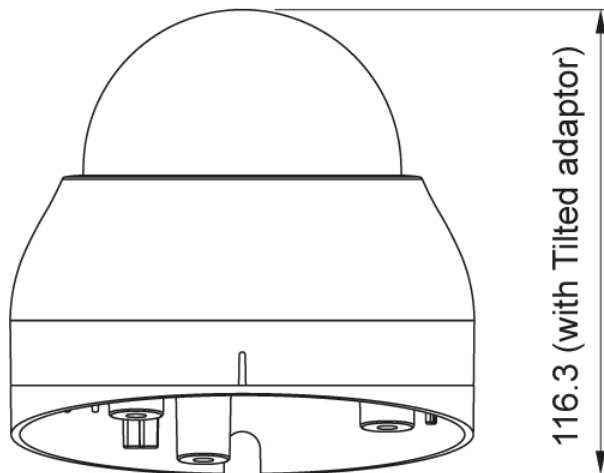
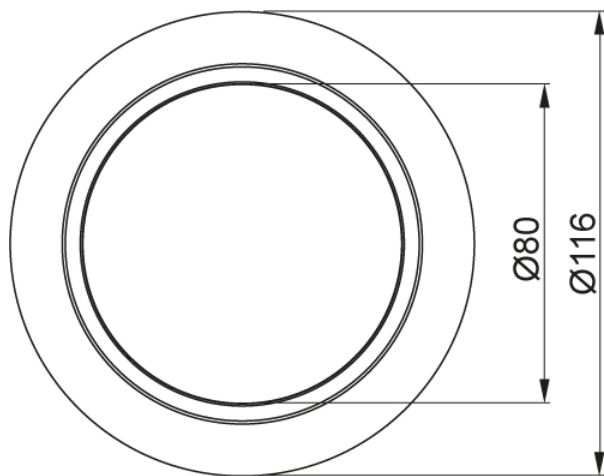
MPD-64A0003P0A

Available Accessories

Image	Prod. No / Label	Description
	212984 / TVA-1201TRA	HD-TVI Transmitter+Receiver, UTP, BNC, 250m, Indoor, Active, 12V
	212985 / TVA-1201TRP	HD-TVI Transmitter+Receiver, 150m, BNC, UTP, Indoor, Passive
	212987 / TVA-1101EA	HD-TVI Signal Amplifier, 12VDC, Indoor
	217344 / MAM-5ME1001MTA	Multisignal Converter, HD-TVI, AHD, 960H to IP, H.264, 1920x1080, 12VDC
	218653 / PS12DC-11	Plug-in Power Supply Unit, 100-240VAC/12VDC (1,0A), regulated, with DC Plug

MPD-64A0003P0A

Technical Drawing



Dimensions: mm

Your Contact Person



eneo is a registered trademark of
VIDEOR E. Hartig GmbH
Carl-Zeiss-Straße 8
63322 Rödermark
Deutschland
Tel.: +49 6074-888-333
E-Mail: info@eneo-security.com
Web: www.eneo-security.com