

AtlasPRO

Robust Multi-Purpose UAV



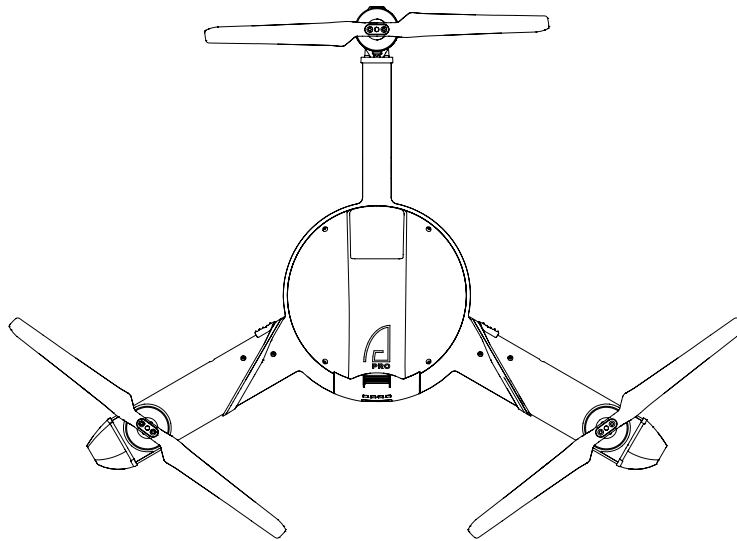
reddot design award
winner 2018



SPECIFICATIONS

www.atlasuas.com

AtlasPRO Robust Multi-Purpose UAV



Aircraft Dimensions (excluding propellers):	Folded: 417 x 323.5 x 115.5 mm / Folded: 16.4" x 12.7" x 4.55" Unfolded: 445 x 557.5 x 185.5 mm / Unfolded: 17.5" x 22" x 7.3"
Weight (excluding battery and payload):	1050 g / 2.31 lbs
Weight (with battery, excluding payload):	1585 g / 3.5 lbs
Max Takeoff Weight:	1900 g / 4.18 lbs
Max Payload:	315 g / 0.7 lbs
Operating Temperature Range (optional):	-20°C to +55°C (-30°C +50°C) / -4°F to 131°F (-22°F to 122°F)
Storage Temperature Range:	-20°C to 45°C up to 3 months / -4°F to 113°F up to 3 months 25 +/-3°C more than 3 months / 77 +/-5°F more than 3 months
Ingress Protection Rating:	IP44 certified
Operating Frequency:	2.4 - 2.4835 GHz 2.2 - 2.7 GHz
RF Output Power:	30 dBm
Antenna Gain:	3 dBi
GNSS:	GPS + GLONASS + Galileo
Hovering Accuracy (GPS mode):	0.5 m - 2.5 m / 1.65 ft - 8.2 ft
Downward Facing Rangefinder:	ToF LIDAR
Field of View:	+/- 1.7 degree conical beam
Obstacle Sensing Range:	(20 m) / (65.6 ft)
Noise Level:	56 dBA at 15 m / 56 dBA at 49.2 ft
Max Tilt Angle:	45 degrees
Max Ascent Speed:	5 m/s / 16.4 ft/s
Max Descent Speed:	Variable, 1.5 - 3.5 m/s / Variable, 5 - 11.5 ft/s
Max Control Speed:	56 km/h / 34.8 mph
Max Speed (with payload):	Standard props: 56 km/h / 34.8 mph Quiet props: 46 km/h / 27.3 mph
Max Wind Resistance:	15.5 m/s (56 km/h) / 51 ft/s (34.8 mph)
Max Flight Time (with payload):	32 min
Max Flight Distance:	16 km / 10mi
Max Service Ceiling Above Sea Level:	3000 m / 9800 ft
Propeller Model:	Standard props: Length: 30.5 cm. Weight: 12.2 g / 12" x 5.5" Weight: 0.43 oz Quiet props: Length: 33.2 cm. Weight: 15.8 g / 13" x 4" Weight: 0.56 oz
Supported Payloads:	EO (RGB): KALOS 120, ARGUS M20 IR: VISOR NX, VISOR FF