

ARGUS M20

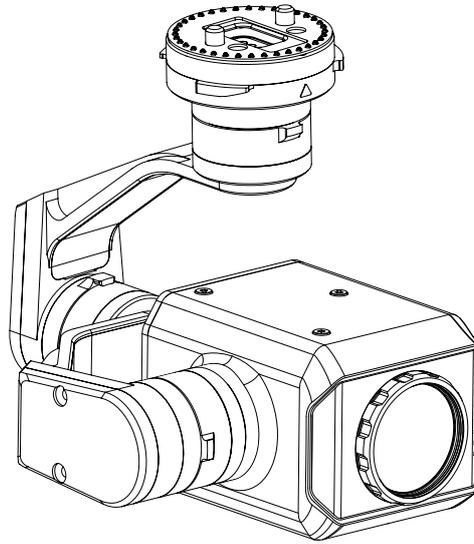
Full HD 20x Hybrid Zoom



SPECIFICATIONS

www.atlasuas.com

ARGUS M20 - Full HD 20X Hybrid Zoom Camera



Dimensions:	106 x 80 x 102 mm / 14.2" x 3.1" x 4"
Image Sensor:	4MP 1/3" CMOS sensor
Lens:	3.3 - 33.0 mm
F-number:	f/1.8-3.4
Field of View:	Horizontal 59.2° to 6.7°
Optical Zoom:	10X
Digital Zoom:	2X
Hybrid Zoom:	20X
Max. Video Resolution:	1920(H)x1080(V)
Max. Photo Resolution:	1920(H)x1080(V)
Video Framerate:	30 fps
Video Encoding:	H.264 H.265
Encryption:	AES-256
Metadata Fields:	<ul style="list-style-type: none">• Image sensor GPS coordinates and direction• Image sensor altitude and angle• Date and time• Others
Video Metadata Format:	STANAG 4609 (recordings and live stream)
Snapshots:	JPEG
Video Container Format:	MP4, MPEG2-TS
Video Stream Format:	RTSP, MPEG2-TS
Still Image Metadata Format:	EXIF
Operating Temperature Range (optional):	-20°C to +60°C (-30°C +50°C) / -4°F to 140°F (-22°F to 122°F)
Storage Environment:	-20°C to +60°C / -4°F to +140°F
Storage:	MicroSD, max. 64GB. UHS-1 or Class 10
Mount:	Detachable
Ingress Protection Rating:	IP44
Weight (incl. gimbal):	243 g / 8.6 oz

All product specifications are subject to change without notice